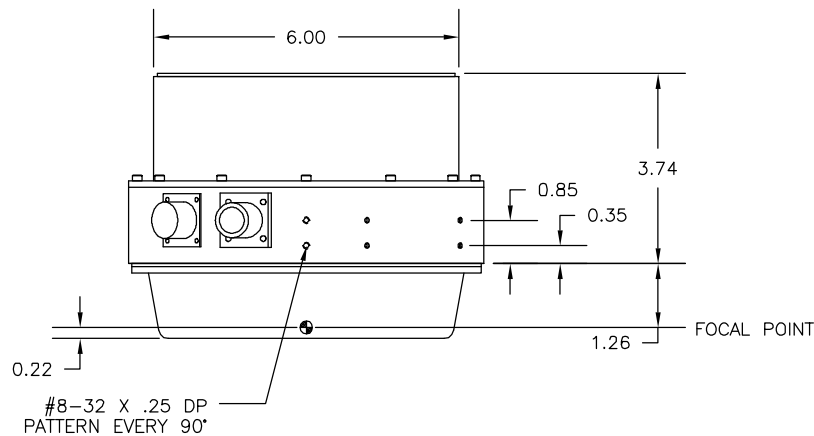
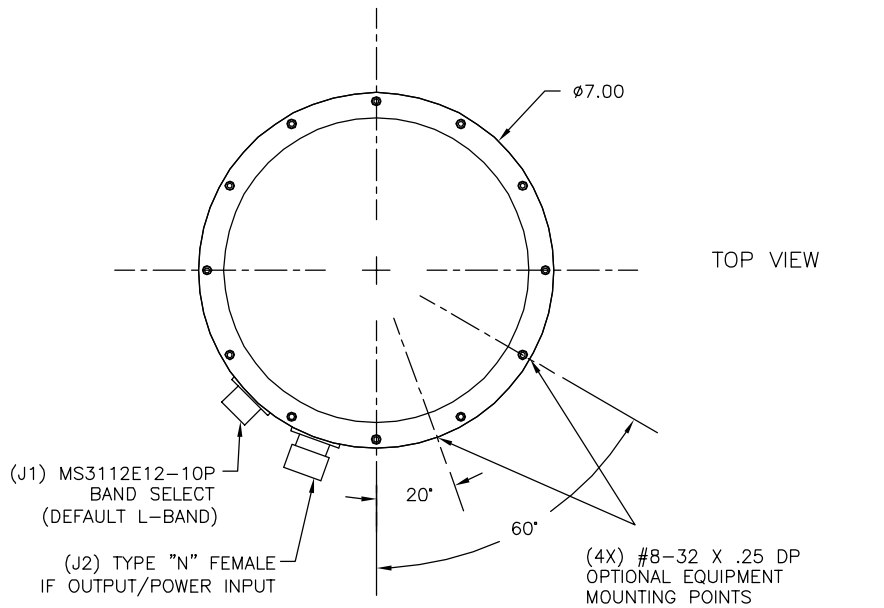


NOTES: Unless Otherwise Specified

1. DEBURR AND REMOVE ALL SHARP EDGES .02 AS REQD.

REVISION BLOCK					
REV	ECO #	ZONE	DESCRIPTION OF CHANGE(S)	DATE	CHANGED/APPROVED
A			INITIAL RELEASE		AFN

DWG. NO. 860911 SH. 1 REV. A



L-Band Downconverter Specifications:

Noise Figure	1.2dB (92K) Typical
Input Frequency	1680-1710 MHz
Local Oscillator Frequency	1565.000 MHz
Local Oscillator Stability	±2.5ppm (-30°C to +60°C)
Oscillator Phase Noise	-102dBc/Hz @ 10KHz Typical
Output Frequency	115-145 MHz
Preselect Filter	3 Pole, -3dB @ 120 MHz -20dB @ 280 MHz
Conversion Gain	52dB Typical
Output 1dB Compression Point	>+10dBm Typical

S-Band Downconverter Specifications:

Noise Figure	1.3dB (100K) Typical
Input Frequency	2207-2267 MHz
Local Oscillator Frequency	2115.000 MHz
Local Oscillator Stability	±2.5ppm (-30°C to +60°C)
Oscillator Phase Noise	-98dBc/Hz @ 10KHz Typical
Output Frequency	92-152 MHz
Preselect Filter	3 Pole, -3dB @ 250 MHz -20dB @ 500 MHz
Conversion Gain	52dB Typical
Output 1dB Compression Point	>+10dBm Typical

Common Specifications:

Feed Type	Crossed Dipole Combined with 90° Network
Feed Polarity	Right Hand Circular Polarized (System)
Combiner Network Loss	.15dB (11K)
Band Selection	Coaxial Relay Switches Downconverter RF Input
IF Output/Power Input	Type "N" Female
Control/Band Select	MS3112E12-10P
Operating Temperature	-30°C To +60°C
Input Voltage	Operates to -40°C At Reduced Specifications
Construction	+12 To +15VDC @ 550mA Maximum (Relay On)
Weight	Machined Aluminum Case, O-ring Sealed, Painted White 5.75 Pounds

ITEM #	QTY.	PART NO.	DESCRIPTION
UNLESS NOTED OTHERWISE TOLERANCE BLOCK: DIMENSIONS ARE IN INCHES			<p style="text-align: center;">PROPRIETARY</p> <p>THIS DOCUMENT AND THE DATA DISCLOSED HEREWITH IS NOT TO BE REPRODUCED, USED, OR DISCLOSED IN WHOLE OR IN PART TO ANYONE WITHOUT WRITTEN AUTHORIZATION FROM QUORUM COMMUNICATIONS.</p> <p style="text-align: center;">QUORUM COMMUNICATIONS</p> <p>IRVING, TEXAS 75063 (972) 915-0256</p> <p>TITLE 990006501 L/S BAND FEED SPECIFICATIONS</p>
XX	±.010	ANGULAR ±1°	
XXX	±.005		
XXXX	±.0005		
DO NOT SCALE DRAWING			APPROVALS DATE
MATERIAL			DRAWN BY AFN 8/4/03
FINISH			APPROVED BY
NEXT ASSY.			SIZE A DRAWING NO. 860911 REV A
			SCALE NONE COMP. FILE 8609111A SHEET 1 OF 1